

- Rockchip ARM 2x Cortex-A72 and 4x Cortex-A53 64-bit RK3399 up to 1.8GHz.
- Onboard 2GB DDRIII Memory and 8GB eMMC.
- Dual Channel 30/24/18bit LVDS, HDMI2.0 4k at 60Hz, eDP1.3 (4 lanes with 10.8Gbps), support HDMI In.
- On-chip Mali-T864 GPU, support 4K H.264/H.265 video decoder.
- Onboard WiFi/BT modules, mini-PCIE for 4G option with SIM slot.
- 7x USB (3.0/2.0), 6x UART, 1x GbE Lan, 1x TF Slot.
- Support Android 7.1 and Android 8.1

Introduction

DJ-3399K is a 3.5-inch ARM Single Board Computer(SBC) based on powerful Rockchip RK3399 Six Core (Dual-core Cortex-A72 and Quad-core Cortex-A53) 64-bit application processor, frequency at 1.8GHz, it offers supreme performance and advanced graphic capabilities, on-chip Mali- T864 GPU, perfect support 4K, H.265/H.264 video decoder, and also offers rich interfaces including Gbit Ethernet, Mini-PCIE, USB, UART, GPIO, LVDS, eDP, HDMI input / output.

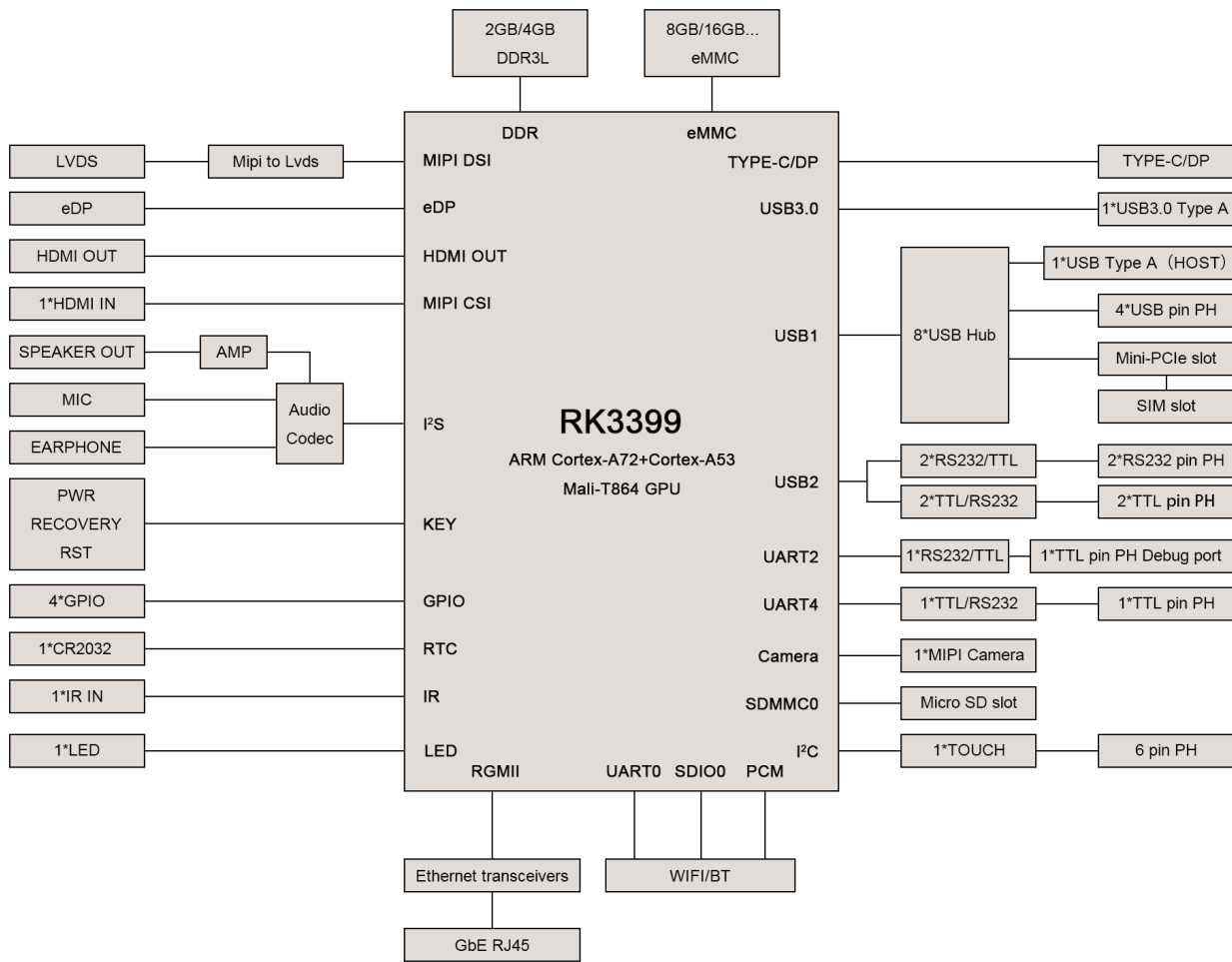
The SBC targets a wide range of industrial applications such as Commercial Display, Digital Signage, Industrial control products, IoT Device, Smart Embedded Device, Robotics, Games and much more.

Specifications

CPU	Rockchip ARM 2x Cortex-A72 and 4x Cortex-A53 64-bit RK3399 up to 1.8GHz
GPU	Mali-T864 GPU, support OpenGL ES1.1/2.0/3.0/3.1, OpenVG1.1, OpenCL, DX11
Memory	Onboard 2GB DDR3 (optional 4GB)
Storage	Onboard 8GB eMMC Nand Flash (option 16GB/32GB...)
Ethernet	1x RJ45 LAN, 10/100/1000Mbps 1x Mini PCIe slot with SIM Card Slot, support 3G/4G Onboard Wi-Fi/BT Module, support 802.11 b/g/n and BT4.0
Display	1x 30/24/18-bit LVDS with 1920*1080 for dual channels at 60Hz (30Pin header) with touch screen control (I2C, 6Pin header) 1x eDP (20Pin header) 1x HDMI OUT, 4k at 60Hz 1x HDMI IN (24Pin header)
USB	1x USB3.0 Type C 1x USB3.0 Type A 1x USB2.0 Type A 4x USB2.0 Pin header
UART	6x 4-wire RS232/TTL, Pin header
Audio	1x 3.5mm Head phone slot 1x MIC In (2Pin header) 1x Speaker Out (4Pin header) With 2x 20W power amplifier out, support t Left and right channels

I/O	1x MIPI Camera Interface (4 Lanes 30Pin header) 4x GPIO via pin header 1x Buttons (Reset Button, Recover Button, Power Button) 2x LEDs (red, blue) 1x IR circuit, support infrared remote control
RTC	Support
Sleep/Wake up	Support
OS Upgrade	Upgrade via Type-C, or U-Disc
Power Supply	DC-in 12V, 1x DC-in Slot, 1x 4Pin header
Temperature	Operating Temperature: -20°C - 60°C Humidity: 5%~95%RH, no condensation
	Storage Temperature: -40°C - 85°C Humidity: 5%~95%RH, no condensation
Dimensions (W x D)	146 x 102mm
OS	Android 7.1 and Android 8.1

Block Diagram



Size&Interface

